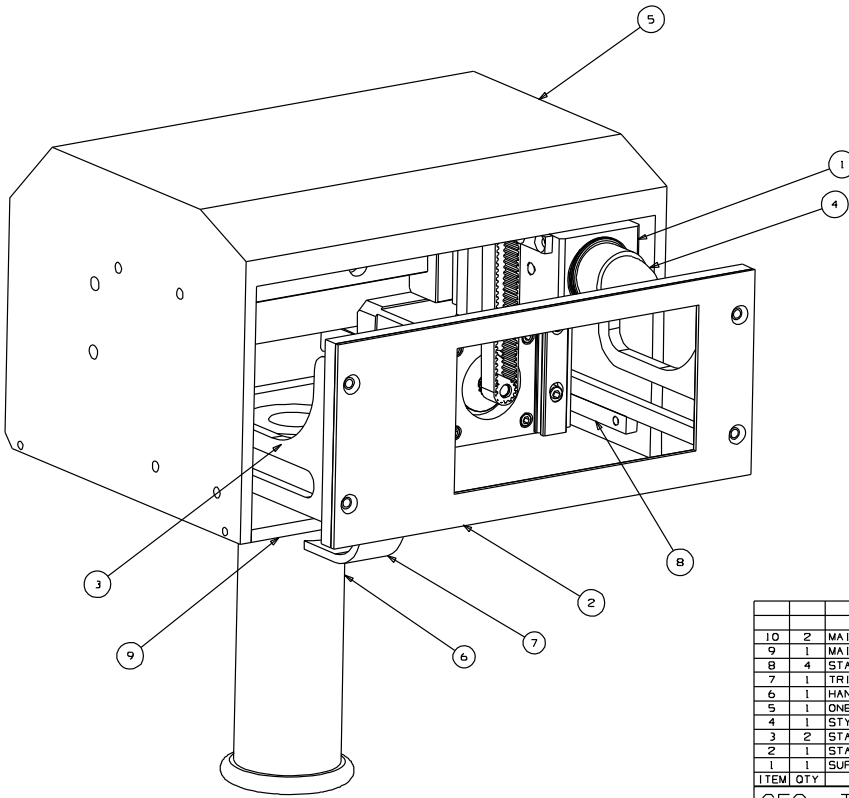


SYN	DATE	REVISION	ECC	NO	BY



STOCK No. 0106805-AMP

ITEM	QTY	DESCRIPTION	DWG. No.	STK No.
10	2	MAIN MOUNTING STANDOFF	98016506	010630
9	1	MAIN MOUNTING PLATE	98016508-B	010632-A
8	4	STANDOFF GUIDE BAR	98016507	010631-A
7	1	TRIGGER GUARD	98016223	010469
6	1	HANDLE AND CABLE ASSEMBLY	04001010	010538-AMP
5	1	ONE PIECE COVER	98016509	010633-U
4	1	STYLUS ASSEMBLY (JOB DEPENDANT)		
3	2	STANDOFF LEG	98016012 Det. 2-A	010745
2	1	STANDOFF FACEPLATE	98016015-A	010732
1	1	SUPERSTINGER CORE UNIT	98016017-C	010742-AMP

GEO. T. SCHMIDT INC. MARKING TOOLS AND MACHINERY 6151 W. HOWARD ST. NILES, IL 60714

TOLERANCE  
UNLESS OTHERWISE SPECIFIED  
WHOLE NUMBERS ±0.000  
ONE PLACE DECIMALS ±0.000  
TWO PLACE DECIMALS ±0.015  
THREE PLACE DECIMALS ±0.003  
ANGULAR DIMS ±1'

ALL COMPONENTS MADE FROM THIS DRAWING ARE TO BE CLEARLY STAMPED WITH DRAWING NUMBER AND DETAIL NUMBER  
S.O.

ASSEMBLY DRAWING  
2 X 4 ULTRASTINGER

PART MUST BE CLEAN AND FREE OF BURRS

CHECKED BY \_\_\_\_\_  
SCALE Full

DRAWN BY 0106805  
DATE 03-02-12



98016005-C