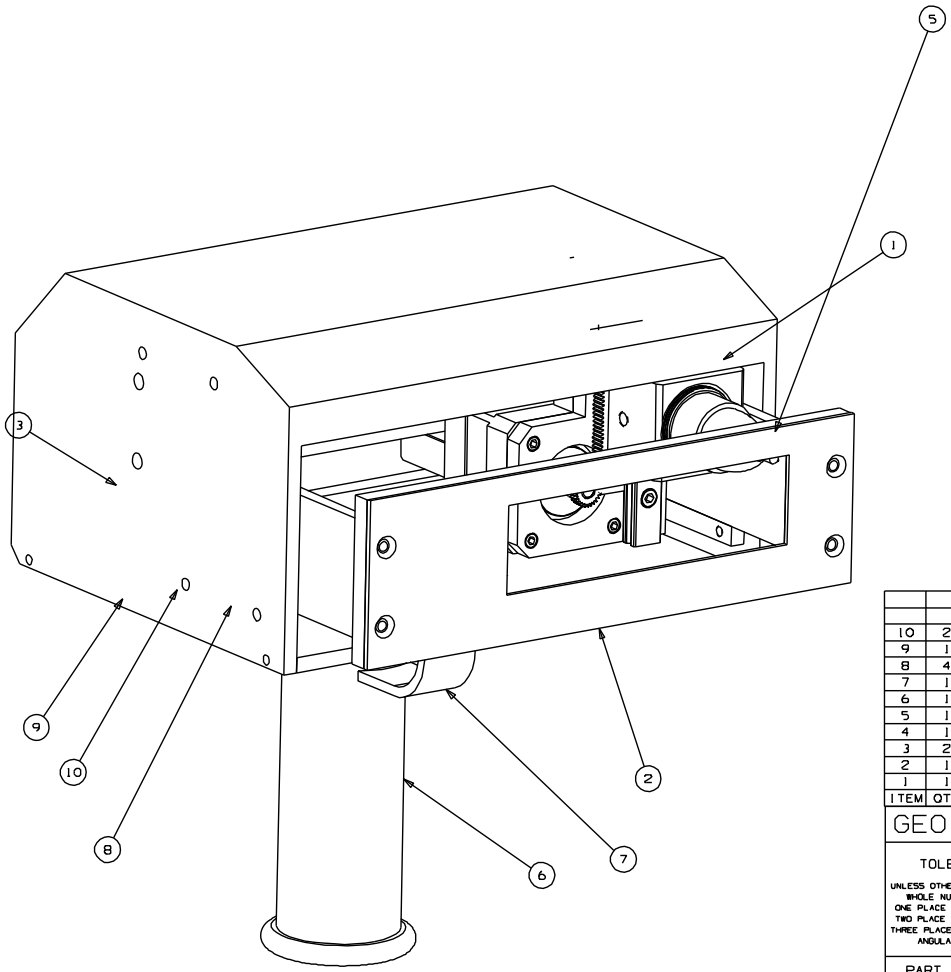


SYM	DATE	REVISION	ECO No	BY
C	02/09	SUPERCEDES DRAWING DATED 7-11-00	0277	JG



STOCK No. 010480A-AMP

ITEM	QTY	DESCRIPTION	DWG. No.	STK No.
10	2	MAIN MOUNTING STANDOFF	98016506	010630
9	1	MAIN MOUNTING PLATE	98016508	010632
8	4	STANDOFF GUIDE BAR	98016507	010631
7	1	TRIGGER GUARD	98016223	010469
6	1	HANDLE AND CABLE ASSEMBLY	04001010	010538-AMP
5	1	ONE PIECE COVER	98016509	010633
4	1	STYLUS ASSEMBLY (JOB DEPENDANT)		
3	2	STANDOFF LEG	98016012 Det.2	010545
2	1	STANDOFF FACEPLATE	98016015	010544
1	1	SUPERSTINGER CORE UNIT	98016017	010542-AMP

GEO. T. SCHMIDT INC. MARKING TOOLS AND MACHINERY 6151 N. HOWARD ST. NILES, IL 60714

TOLERANCE
 UNLESS OTHERWISE SPECIFIED
 WHOLE NUMBERS ±0.060
 ONE PLACE DECIMALS ±0.090
 TWO PLACE DECIMALS ±0.015
 THREE PLACE DECIMALS ±0.003
 ANGULAR DIMS ±1°

ALL COMPONENTS MADE FROM THIS DRAWING ARE TO BE CLEARLY STAMPED WITH DRAWING NUMBER AND DETAIL NUMBER

ASSEMBLY DRAWING
 SUPERSTINGER

S. O.

PART MUST BE CLEAN AND FREE OF BURRS


CHECKED BY _____

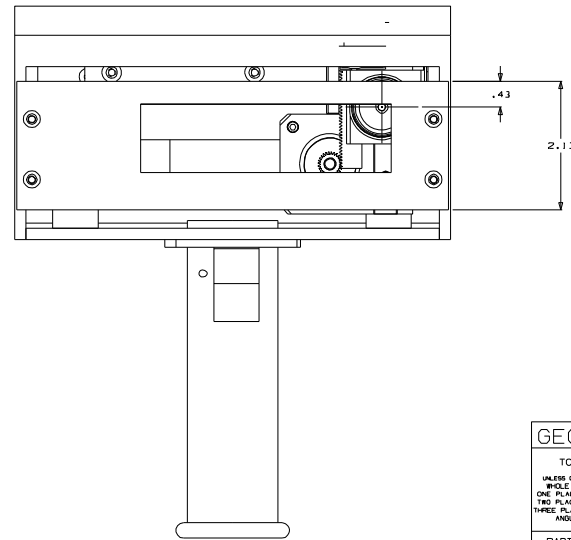
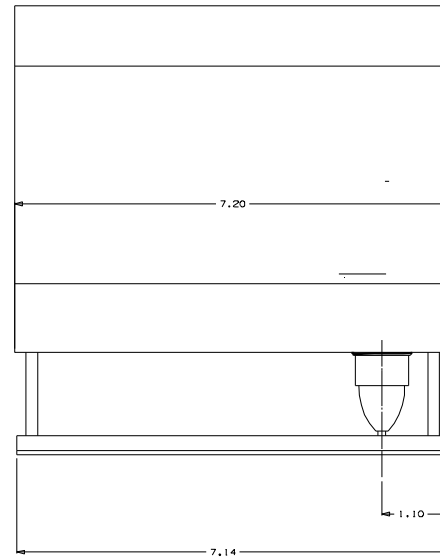
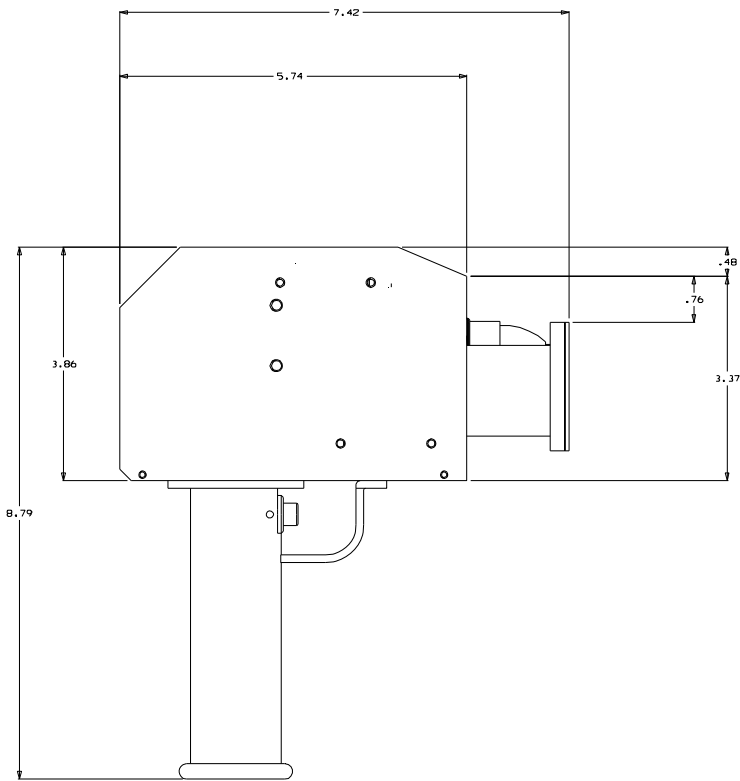
SCALE Full

DRAWN BY Glocometti


DATE 02-17-09

98016005





SHEET 2 OF 2

GEO. T. SCHMIDT INC.		MARKING TOOLS AND MACHINERY	8151 N. HOWARD ST. MILES, IL 60714
<p>TOLERANCE</p> <p>UNLESS OTHERWISE SPECIFIED</p> <p>WHOLE NUMBERS ±0.000</p> <p>ONE PLACE DECIMALS ±0.000</p> <p>TWO PLACE DECIMALS ±0.001</p> <p>THREE PLACE DECIMALS ±0.003</p> <p>ANGULAR DIMS ±1°</p>	<p>ALL COMPONENTS MADE</p> <p>FROM THIS DRAWING ARE</p> <p>TO BE CLEARLY STAMPED</p> <p>WITH DRAWING NUMBER</p> <p>AND DETAIL NUMBER</p>	<p>ASSEMBLY DRAWING</p> <p>SUPERSTINGER</p>	
<p>PART MUST BE</p> <p>CLEAN AND FREE</p> <p>OF BURRS</p>	<p>CHECKED BY</p> <p>SCALE Full</p>	<p>DRAWN BY Glocamett:l</p> <p>DATE 02-17-99</p>	 <p>98016005</p>