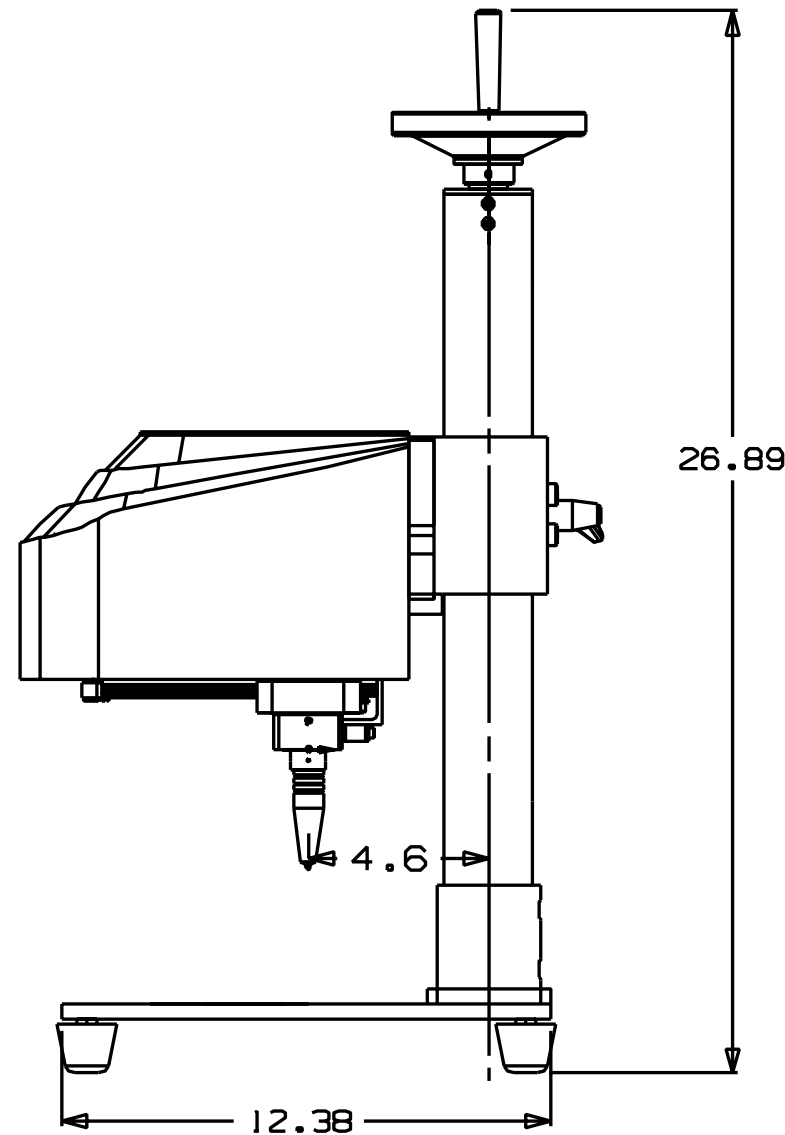
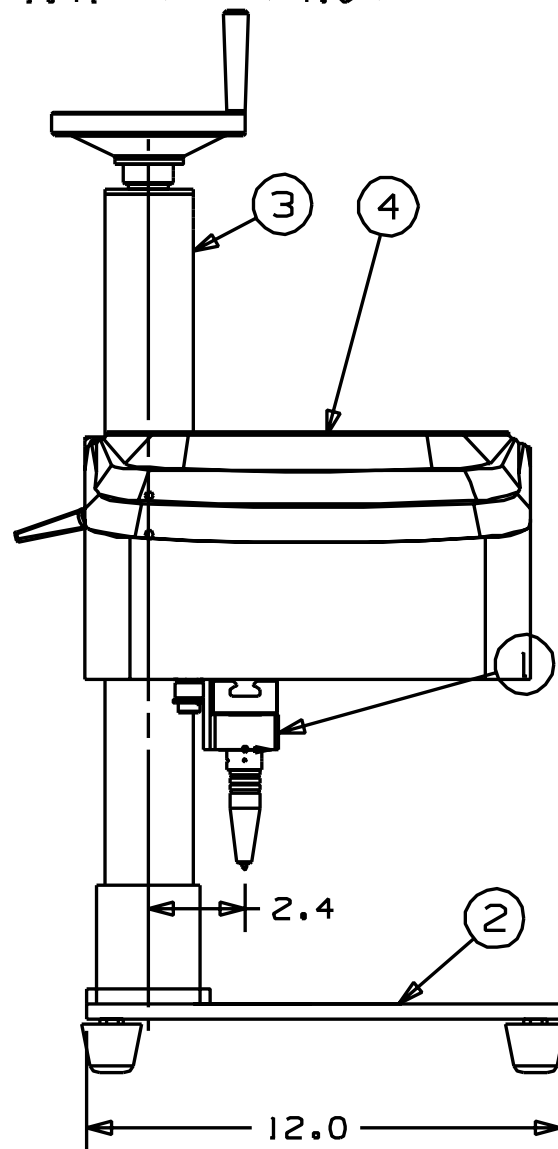


COMPLETE ASSEMBLY STOCK # 010650



NO	QTY	PART NAME	DWG #	STOCK #
5	1	COVER SPACER	95018115	010225
4	1	COVER	96001015	010188
3	1	Z-AXIS ASSEMBLY	04002011	010658
2	1	BASE ASSEMBLY	04002010	010651
1	1	4x4 HEAD ASSEMBLY	97016016	010262

GEO. T. SCHMIDT INC. MARKING TOOLS AND MACHINERY | 6151 W. HOWARD ST. NILES, IL 60714

TOLERANCE
 UNLESS OTHERWISE SPECIFIED
 WHOLE NUMBERS ±0.000
 ONE PLACE DECIMALS ±0.000
 TWO PLACE DECIMALS ±0.015
 THREE PLACE DECIMALS ±0.003
 ANGULAR DIMS ±1°

ALL COMPONENTS MADE FROM THIS DRAWING ARE TO BE CLEARLY STAMPED WITH DRAWING NUMBER AND DETAIL NUMBER

S.O.

4x4 STYLINER MAIN ASSEMBLY

PART MUST BE CLEAN AND FREE OF BURRS

CHECKED BY: _____

SCALE: NONE

DRAWN BY: JG

DATE: 07/30/04

04002001