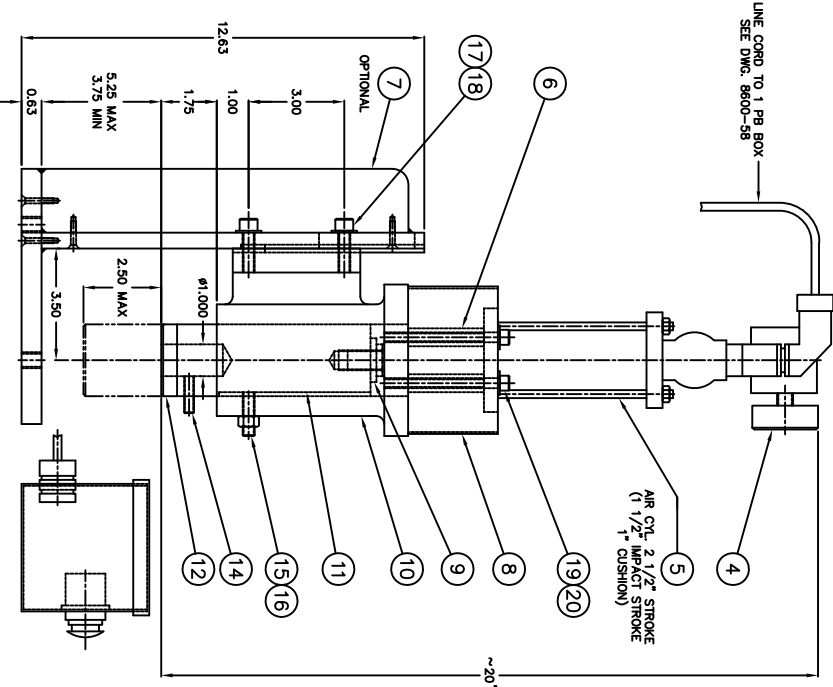
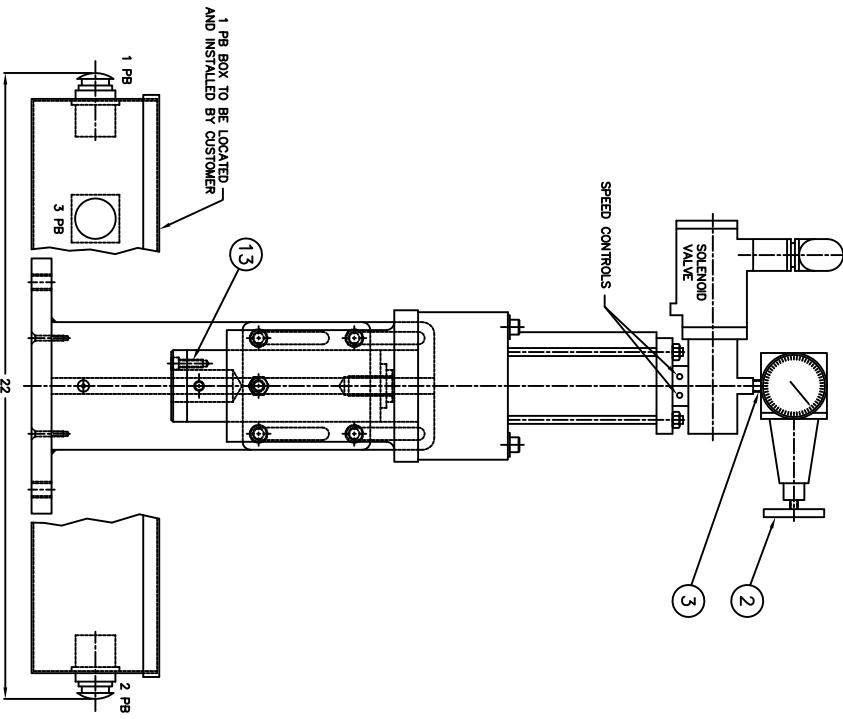


OPTIONAL MOUNTING BASE



OPTIONAL MOUNTING BASE



DET. QTY.	DESCRIPTION	DRAWING NO.	STOCK NO.
21	1 NAME PLATE	54	33555
20	4 5/16 LOCK WASHER		21188
19	4 5/16-18 x 3 1/2" LG. SH.C.S.		13627
18	4 3/8 LOCK WASHER		
17	4 3/8-16 x 1" LG. SH.C.S.		
16	1 3/8-16 JAM NUT		54097
15	1 3/8-16 x 1 1/4" LG. SH.C.S. (DOG POINT)		54097
14	1 5/16-18 x 1/2" LG. SH.C.S.		09221
13	3 1/4-20 x 3/4" LG. SH.C.S.		09041
12	1 CAP	8600-3 DET.5	33542
11	1 RAM	8600-42	48687
10	1 CYLINDER BRACKET	8600-43	48688
9	1 FLANGE NUT	8600-44	54374
8	1 CYLINDER SKIRT	8600-34	33547
7	1 OPTIONAL MOUNTING BASE	8600-46	54381
6	4 CYLINDER SPACER	8600-33	33546
5	1 SUPER SPEED AIR MOTOR "SCHRAMER BELLOWS" 2 1/2 STR. 2 1/2 BORE # B52130200 WITH VALVE # B9022101-115 V. 60 CY B832 CENTER FLANGE MITG. LESS STEP DOWN TRANSF.		48689
4	1 AIR GAUGE "WATTS"	P-190-DET2	48686
3	1 1/4 NPT CLOSE NIPPLE		48693
2	1 AIR REGULATOR "WATTS"	P-190-DET1	48687

**GEO. T. SCHMIDT DIV.**  
 ASSEMBLY OF 5-T  
 PNEUMATIC IMPACT  
 PRESS

UNLESS OTHERWISE SPECIFIED  
 DIMENSIONS ARE TO BE CLEARLY STAMPED  
 ON THE PART EXCEPT AS NOTED  
 THREE PLACE DECIMALS UNLESS  
 OTHERWISE NOTED

DATE: 01/12/83  
 DRAWN BY: L.D.  
 CHECKED BY: 1.2  
 PART MUST BE  
 CLEAN AND FREE  
 OF BURRS