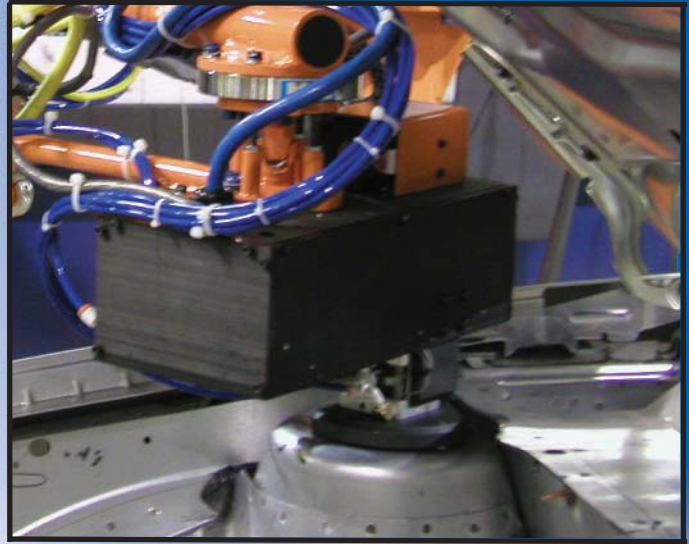


# **STYLINER**<sup>®</sup> *In Automation*



## SYSTEM FEATURES

- *Marking Fields ranging from 1" x 2.5" to 8" x 8"*
- *Programmable powered z-axis available*
- *Choose from multiple controller options and operating software packages*
- *Available with protective shutter/splash shield*
- *Mounting brackets/holes as required*
- *Automatic serialization and date coding*
- *Variety of Stylus assemblies available to best fit your application*
- *Quality tested and proven durability*
- *30 month standard warranty*
- *Technical support 24 hours, 7 days a week*

*Our Automation Marking Systems are available in a wide variety of marking head sizes to integrate with any manufacturing part assembly or robotic application. In addition, our systems capabilities include electrical, mechanical, and software customization to satisfy your automation marking requirements.*

*Styliner "S" (separate marking heads) can be positioned vertically, horizontally, inverted, or any compound angle as required by the application. For harsh environments, a shutter shield assembly moves in conjunction with our stylus marking pin to guard against dirt and debris contaminating the marking head's internal components. A wide array of self-contained or PC based controllers are available for simple input or complete networking applications.*

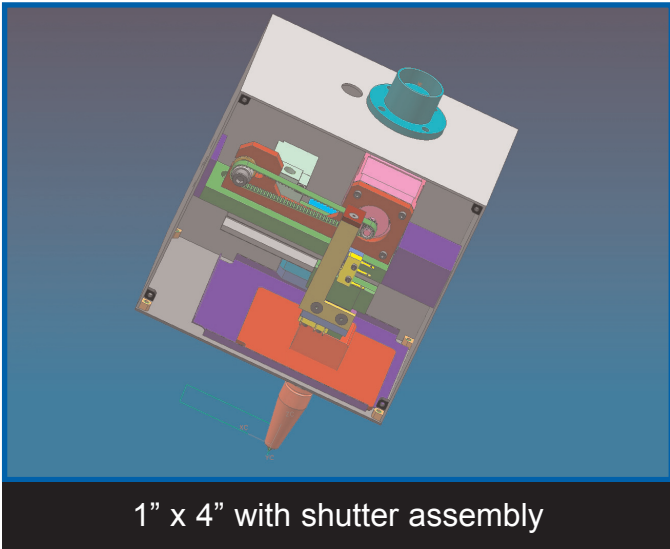


**SCHMIDT**  
MARKING SYSTEMS

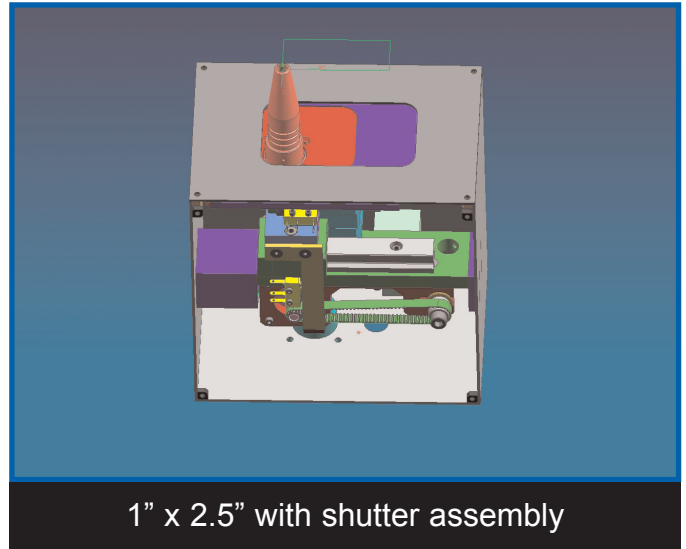
(800) 323-1332 • (847) 647-7117

[www.gtschmidt.com](http://www.gtschmidt.com)

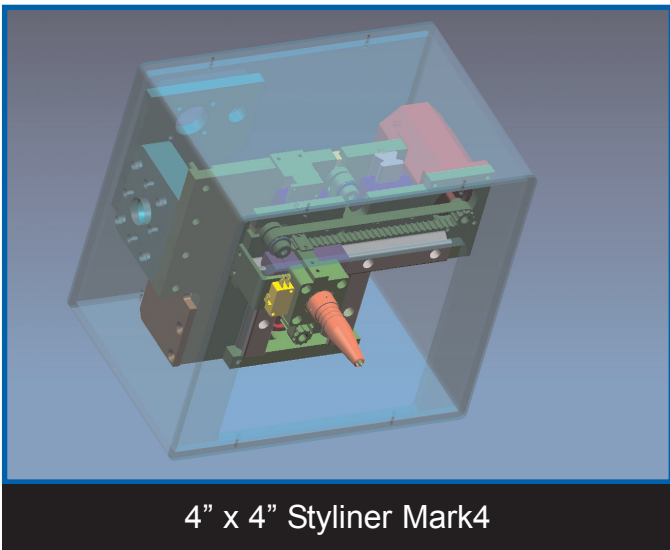
While Schmidt Marking Systems has a complete line of standard off-the-shelf automation marking heads and controls, our main focus is to provide our assembly machine and automation customers with the proper solutions for their marking applications. Our extensive application knowledge and in-house expertise are key elements that allow us to determine the correct marking head configuration and electrical controls. Furthermore, our engineering department and sales staff have the ability to solve your challenging software and mechanical application requirements.



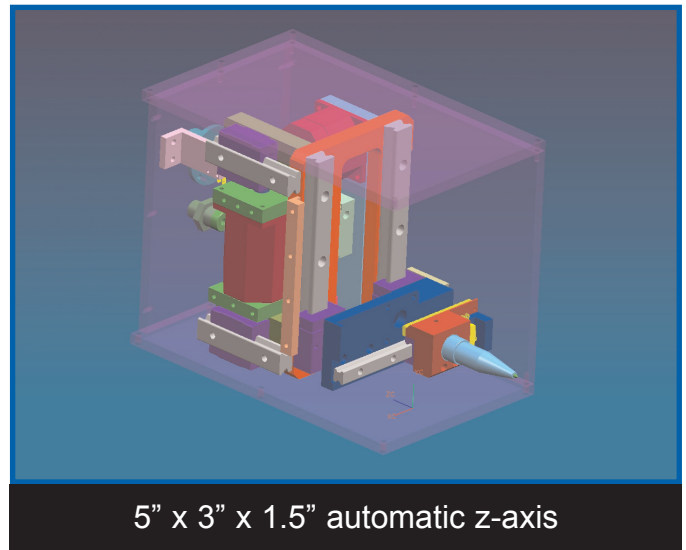
1" x 4" with shutter assembly



1" x 2.5" with shutter assembly



4" x 4" Styliner Mark4



5" x 3" x 1.5" automatic z-axis



6151 W. Howard Street  
 Niles, IL 60714-3488  
 (800) 323-1332  
 (847) 647-7117  
 Fax (847) 647-7593

